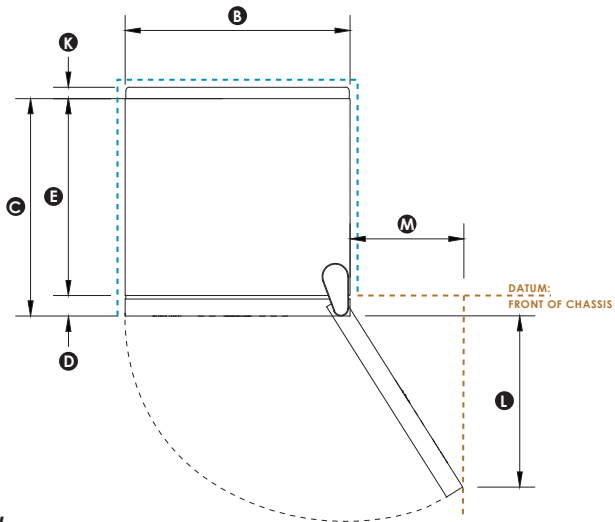


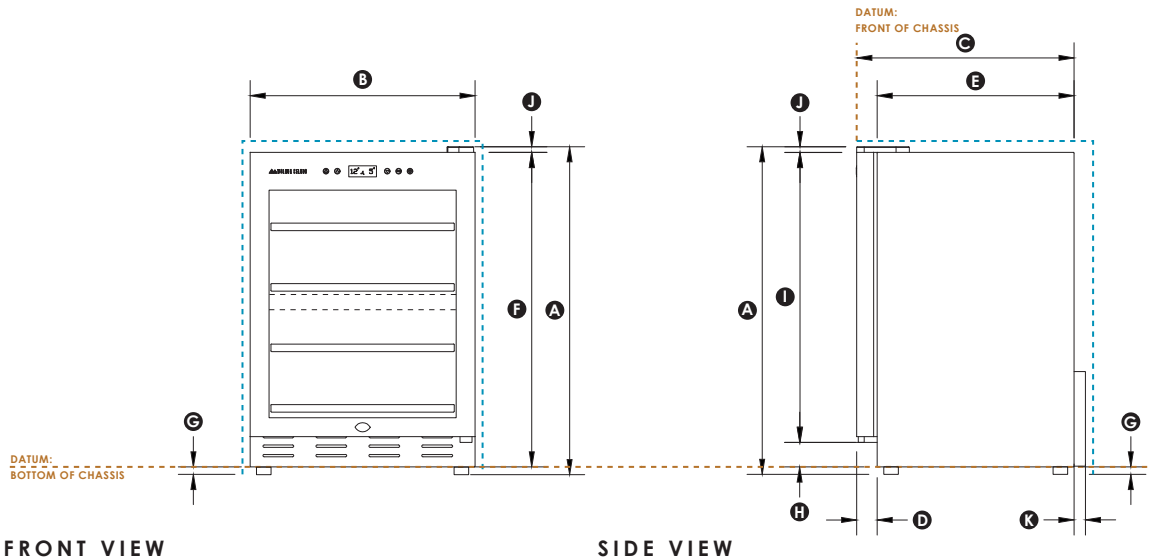
WINE CABINET | 46 BOTTLE

DUAL ZONE

WCR-46D



TOP VIEW



FRONT VIEW

SIDE VIEW

DIMENSIONS

	mm
<b>A</b> Overall height* of wine cabinet	835 - 845
<b>B</b> Overall width of wine cabinet	595
<b>C</b> Overall depth of wine cabinet (excludes ventilation grill)	580
<b>D</b> Depth of wine cabinet door and gasket	55
<b>E</b> Depth of wine cabinet chassis (excludes door)	525
<b>F</b> Height from bottom datum to top of wine cabinet (excludes top hinge)	800
<b>G</b> Height of feet (adjustable)	20 - 30
<b>H</b> Height from bottom datum to bottom of door	85
<b>I</b> Height of door	715
<b>J</b> Height of top hinge	15
<b>K</b> Depth of ventilation grill	30
<b>L</b> Depth of door (widest opening) measured from front of door	455
<b>M</b> Minimum door clearance to adjacent wall (full door rotation)	300

\*includes adjustable mounted feet

CLEARANCE DIMENSIONS

	mm
Minimum air clearance - at rear (from ventilation grill)	30
Minimum air clearance - each side	20
Minimum air clearance - above (from top of chassis)	30
Overall height of cavity	865 - 875
Overall width of cavity	635
Overall depth of cavity (proud install)	585
Depth depth of cavity (flush install)	640

INDICATES PRODUCT DATUM

INDICATES CLEARANCES

SCALE 1:20 @ A4

DATE: 20.03.2018

The product dimensions and specifications on this page apply to the specific product and model. Dimensions may vary ± 2mm

