

**WINE CABINET | 166 BOTTLE
SINGLE ZONE
WCR-166S**

CAPACITY

Total **166 Bottles***

DIMENSIONS

Width **595mm**

Depth **720mm**

Height **1785-1795mm**

Minimum air clearance - at rear **30mm**

Minimum air clearance - each side **20mm**

Minimum air clearance - above **30mm**

*Based on a standard Bordeaux bottle

FEATURES

Temperature selectable 5 - 22°C

LED lighting with on/off control

Touch sensitive control panel

LCD Display

Power on/off control

Double-glazed, UV tempered glass door

Black internal/external finish

Timber shelving

Secure ball-bearing roll-out shelving with lock

Optional Left Hand/Right Hand Hinge opening

Flat door design

Door lock

100% copper refrigeration system

Anti-vibration frost free compressor

WARRANTY

Parts and Labour **2 years**

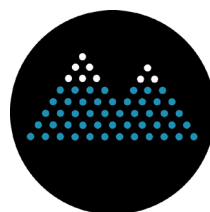
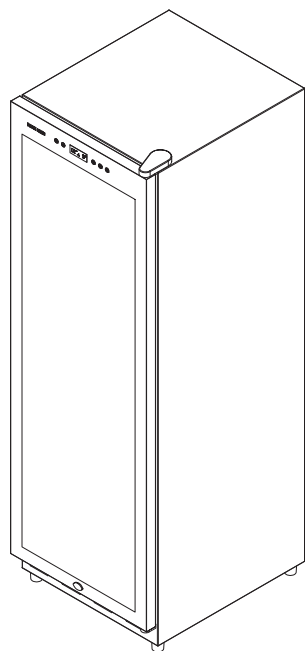
WALKER CELANO
REFRIGERATION PTY. LTD

For customer support please contact

T +61 9416 8501

E info@walkercelano.com.au

W walkercelano.com.au



WALKER CELANO